

BLAC-RAC[®]

Tactical Weapons Mount

Additional Services Available from BLAC-RAC Manufacturing Inc.

- » *BLAC-RAC Manufacturing Inc. can provide custom design services for your particular requirements and/or applications.*
- » *Analysis of space and weapons for maximum optimizations of the system for your specific layout.*
- » *Custom mounts and bracketing can be designed and manufactured for any installation.*
- » *Contact BLAC-RAC Manufacturing Inc. with any inquiries.*

Limited Warranty

BLAC-RAC Manufacturing Inc. will replace, at its expense, and at its option, any new BLAC-RAC™ Model series 1070, 1080, and 1090 which in normal use has proven to be defective in workmanship or material, provided that the customer returns the product prepaid to a BLAC-RAC Manufacturing Inc. factory location with proof of purchase of product within one year from date of purchase. This warranty is valid for the original purchaser and is not transferable. BLAC-RAC Manufacturing Inc. will not be responsible for any asserted defect which has resulted from negligent use, misuse, abuse or repair or alteration made or specifically authorized by anyone other than an authorized representative of BLAC-RAC Manufacturing Inc. Under no circumstances will BLAC-RAC Manufacturing Inc. be liable for incidental or consequential damages resulting from normal use or defective products.

This warranty is BLAC-RAC Manufacturing Inc. sole warranty and sets forth the customer's exclusive remedy, with respect to defective products; all other warranties, express or implied, whether of merchantability, fitness for purpose, or otherwise, are expressly disclaimed by BLAC-RAC Manufacturing Inc.

***IF YOUR FIREARM DOES NOT FIT, DO NOT USE THE BLAC-RAC**

***NEVER CHAMBER A ROUND WHILE USING THE BLAC-RAC**

***THE BLAC-RAC WILL NOT PREVENT ACCIDENTAL DISCHARGE/FIRING OF A CHAMBERED ROUND**

***IT IS THE RESPONSIBILITY OF THE USER TO OPERATE THE BLAC-RAC PROPERLY AND SAFELY**

2110 E. Commercial Street ~ Meridian, Idaho 83642 USA

Ph: 800 528-8040 ~ 208 855-9388

Fax: 208 855-9384

www.blac-rac.com

Patents:
United States Patent No. 8,266,835
United States Patent No. 7,658,028
Additional Patents Pending

©2014 BLAC-RAC Manufacturing Inc.
All Rights Reserved

BLAC-RAC[®]

TACTICAL WEAPONS MOUNT



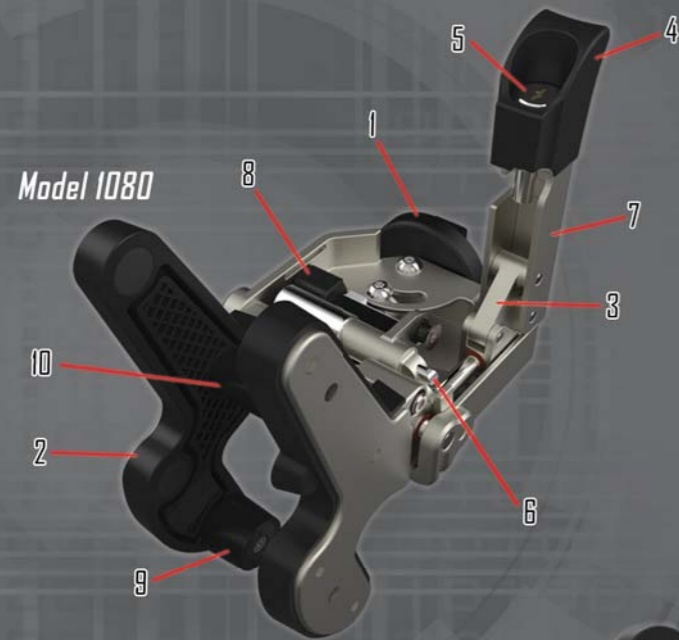
2014 BLAC-RAC MANUFACTURING

PROUDLY
MADE IN THE
U.S.A.

Key Features

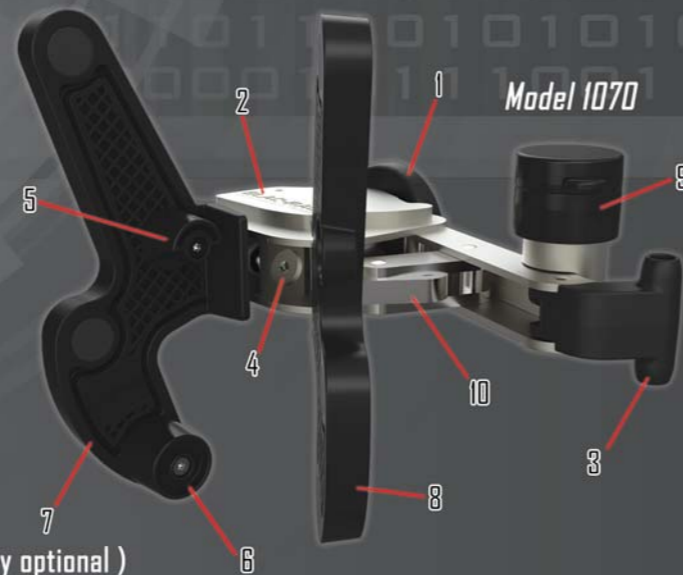
The **BLAC-RAC** is the most versatile, robust, compact and multiple platform weapons retention system on the market. Designed and constructed for today's modern tactical weapons, the **BLAC-RAC** secures your weapons in a manner that allows for maximum flexibility. The **BLAC-RAC** is a paradigm shift in gun mount technology. It is a single point mount that is centered on the M4 lower receiver. However, it can accommodate a host of tactical weapons. The system is not weapon specific. Make, model, barrel length, stock or other attributes are no matter for the **BLAC-RAC**. Configure your weapons in the manner you require.

The **BLAC-RAC** system is accessory friendly. Lights, optics, lasers, front rails or other accessories do not present a hindrance to successful mounting. Weapons that are configured by the operator to their custom specifications will fit in the **BLAC-RAC**. Additionally, the system restricts access to the take-down pins, trigger group and magazine release.



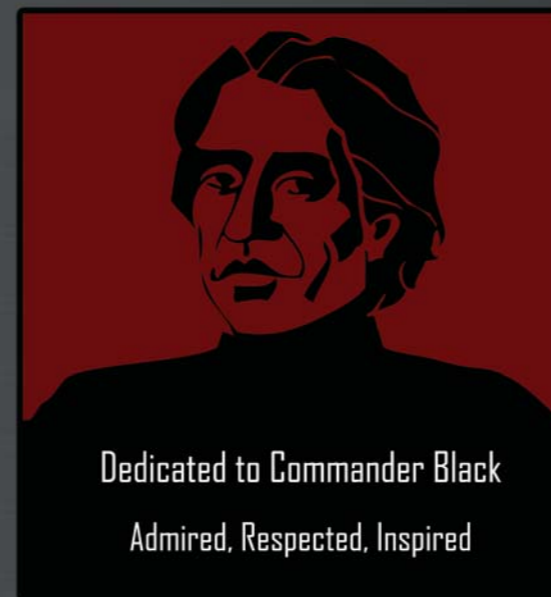
Model 1080

1. Single Point Mounting Base
2. Retractable Grip Plate
3. Over the Center Clamp Action
4. Durable Glass Filled Nylon Handle
5. Integral Lock Override
6. Slam Latch
7. Vertical Motion Handle
8. Encapsulated Internal Power Supply
9. Eccentric Pistol Grip Rest
10. Reinforced Trigger Post



Model 1070

1. Single Point Mounting Base
2. Security Plate (Top)
3. Durable Glass Filled Nylon Handle
4. Receiver width Adjustment
5. Reinforced Trigger Post
6. Eccentric Pistol Grip Rest
7. Synthetic non-marring Fixed Pivot Pad
8. Synthetic non-marring Swivel Pivot Pad
9. Standard 3/8" pad lock hasp. (Integral Lock w/key optional)
10. Over the Center Clamp assembly



Dedicated to Commander Black
Admired, Respected, Inspired



BLAC-RAC®

www.blac-rac.com

The Perfect Fit For Your Weapon



Custom / Special Adaptations:

BLAC-RAC Mfg. at its sole discretion, may accept to modify the weapons rack to adapt to specialized and/or unique weapon platforms upon customer request. This would apply to weapon platforms that do not conform to the standard form, fit or function of the specified conventions of the **BLAC-RAC** Tactical Weapons Rack. Additional non recurring engineering, tooling, fixtures and other charges may be incurred. Modifications may affect warranty and disclaimers may be applied. Testing for the fitness of purpose, merchantability, safety, installation, security, and operational aspects would be the responsibility of the buyer/end user.



SRM rotational magazine shotgun

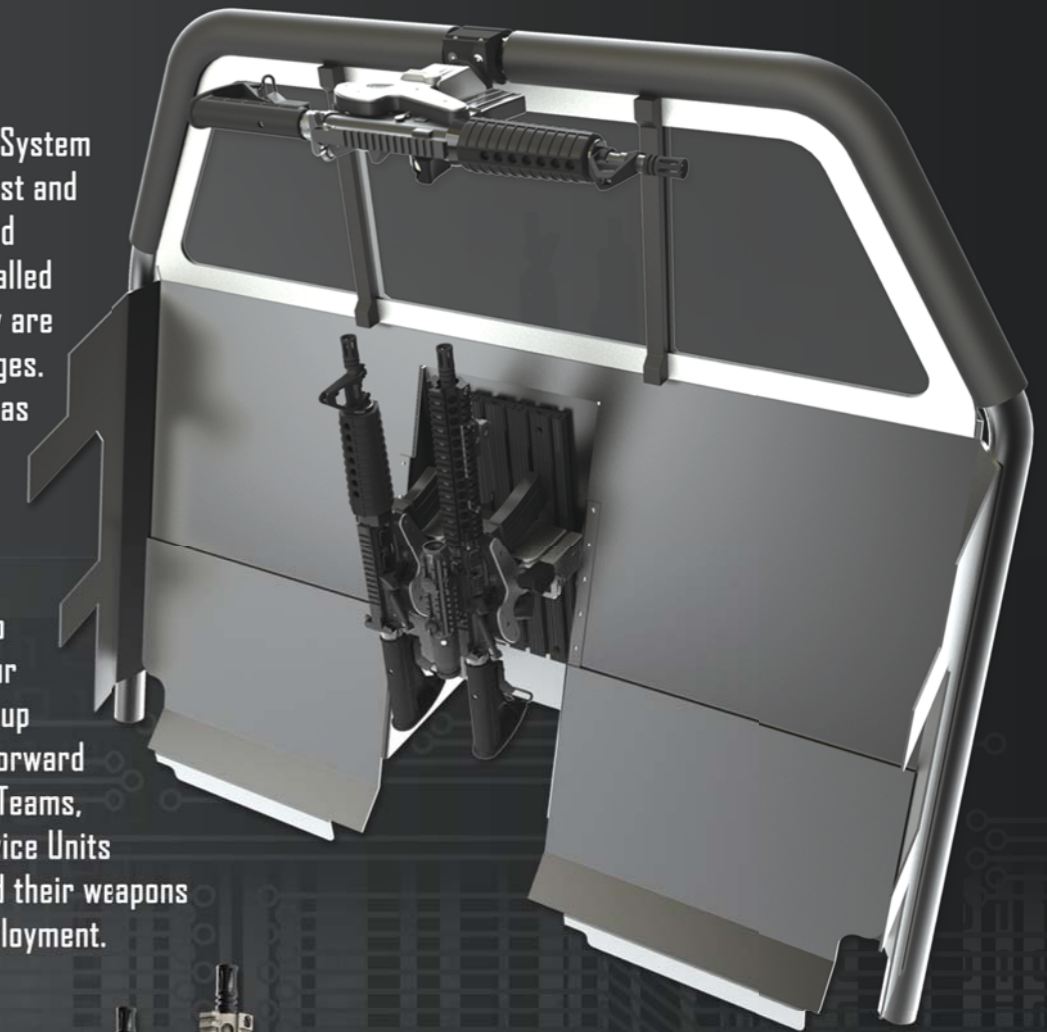


AR15 equipped with 100 round barrel

(magazines are subject to these conditions.)

Cruisers

The **BLAC-RAC** Tactical Weapons System will fit any make or model of the latest and newest Law Enforcement vehicles and associated equipment. It can be installed on all partitions/cages whether they are flat panel, recessed panel or half cages. Overhead tube mounts are available as well. Vehicles without partitions can utilize our standalone mounts which are ideal for Vans, SUV's, Pick-Ups and specialty vehicles. Although, the standard configuration is for two **BLAC-RAC**'s, we can configure our standalone mounts to accommodate up to four **BLAC-RAC**'s, two facing forward and two facing the rear. Your Swat Teams, Tactical Squads and Emergency Service Units can respond with four Operators and their weapons safe, secure and ready for rapid deployment.



Motors

BLAC-RAC specializes in unique varied weapons mounts for motorcycles. Our main focus is Harley Davidson Road Kings years 2008 up to current release. Other makes and models can and have been accommodated. The **BLAC-RAC** can be mounted interior in the saddle bag or exterior on the motor in various locations. The robust design, construction and superior materials allow for continuing endurance for vibration/shock absorption and weather conditions.



This cut-away view illustrates the weapon mount inside the saddle bag.

The maximum overall length of the weapon should be 27 inches. Note that special proprietary tamper proof hardware is available to deter removal of the entire saddle bag from frame of motor.

2011 Harley saddlebag



BLAC-RAC the world's most robust, versatile, compact, multi-platform modern weapons retention system. **BLAC-RAC**, one serious piece of hardware.



Model 1070

1070 – Standard Mechanical with user defined locking mechanism, horizontal “swing open” handle operation and 3/8” diameter hasp for pad lock.



Model 1080

1074 – Extreme Duty Standard Mechanical with user defined locking mechanism, “swing open” handle operation and 3/8” diameter hasp for pad lock. Constructed of base steel and stainless steel components with corrosion resistant ceramic coating.

1080E – Electronic Release w/Time Delay and key override. Vertical Handle Operation. Stainless Steel Base Frame with Alloy Components. Electronic circuit self contained for timing and solenoid operation. Comes in Silver/Gray Color.

1080M – Mechanical operation w/key lock and vertical handle mechanism. Same as 1080E less electronics. Silver/Gray in Color.



Model 1091

1091E – Extreme Duty with Electronic Release and time Delay w/key override. Constructed of Stainless steel frame and hardware. Sealed electronic circuit. Color is Silver/Gray. Mounting base is Alloy Steel with ceramic corrosion resistant coating. (Navy camo coating shown for illustration purposes.)

1091M – Extreme Duty Mechanical key lock. Same as 1091E with no electronics.

Vertical Strong Box Locker:

BLAC-RAC Mfg. and BOSS Safety Products, have co-developed the Vertical Strong Box Locker. This product is specifically designed and constructed for the **BLAC-RAC** Weapons Retention System. The standard Model 7126-7618V will hold two **BLAC-RAC**s and utilize the Strongbox superior features in materials and security. Our collaboration results in a 'two layer' system of safety and security. It is the perfect solution for law enforcement buildings and offices that require internal secure weapon storage with virtually no risk of external security breach. The Vertical Locker system is also ideal for special purpose Law Enforcement Vehicles such as Armored vehicles and SWAT vehicles.



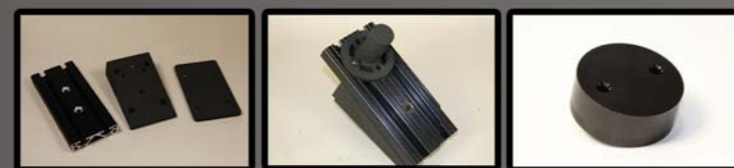
BOSS Strongbox:

The Boss Strongbox series of vehicle weapon lockers are the best, most secure lockers on the market. They feature all steel construction, pick proof high security locks, three point lock system and heavy duty drawer slides. These products are approved by US military, FBI, DEA, Border Patrol and many state and local law enforcement agencies.



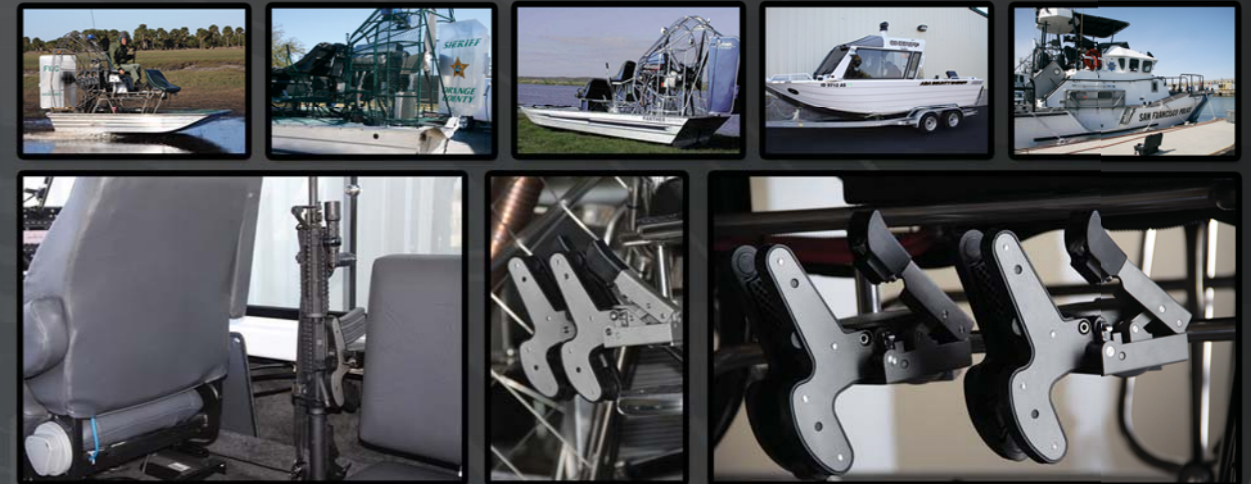
Custom Brackets:

BLAC-RAC offers Custom Brackets to meet your Tactical Weapons Mounting needs. No matter what the space requirements are, if your firearm will fit, we can secure it with a **BLAC-RAC** fitted with a Custom Bracket.



Marine

In this Law Enforcement/Military arena, no product other than the **BLAC-RAC** Models 1090 and 1091 can endure the harsh and extreme environs encountered and win the battle against the elements. Extreme Duty Is constructed of the highest possible corrosion resistant materials available. Whether you operate in fresh water, salt water or inclement weather, the **BLAC-RAC** will perform consistently and continuously. It can be mounted in a multitude of locations. Bulkheads, Grab Rails, Overheads, Decks, Lean Posts, tubular structures and any structural element that is suitable for the application. The **BLAC-RAC** can be exposed directly to the weather above deck and withstand all that nature provides. Currently deployed on patrol boats throughout the country operating 24/7, 365 days a year.



No longer will your weapons need to be stored in gun cases, duffel bags, on board inaccessible compartments. Your weapons will be secured for safety, security and quick deployment

Open Frame

The **BLAC-RAC** is the most suitable platform for open frame vehicles. It can withstand the punishing conditions of off-road missions and patrol. From the intense heat and dust of the deserts to the frigid cold, snow and ice of the frozen north and mountainous regions. Many mounting options are available to maintain your weapon integrity and your operators prepared.



Aircraft

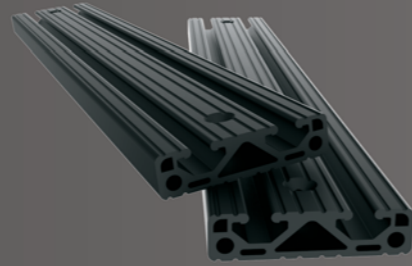
Our system can support your weapons retention needs in both fixed wing and rotor applications. We have conducted numerous highly successful installations for several Federal, State and Municipal agencies.
Fly right. Fly with **BLAC-RAC**



Accessories

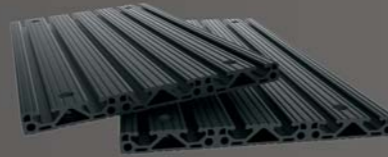
Single T-Channel:

Can be mounted vertically or horizontally.
Dimensions: 18" x 3" x 3/4"
Constructed of extruded structural aluminum.
(Custom lengths and hole patterns available)



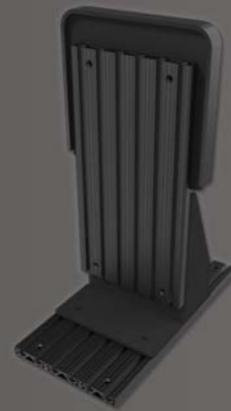
Double T-Channel:

Holds two **BLAC-RAC**s side-by-side in between the front seats where no partition is installed. Will fit both flat partitions & partitions with recessed panels. Dimensions are: 18" x 9" x 3/4".
Constructed of extruded structural aluminum.
(Custom lengths and hole patterns available)



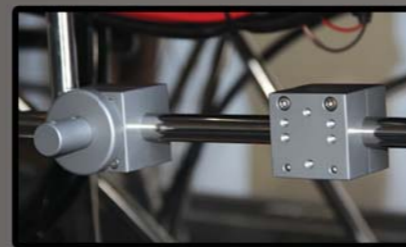
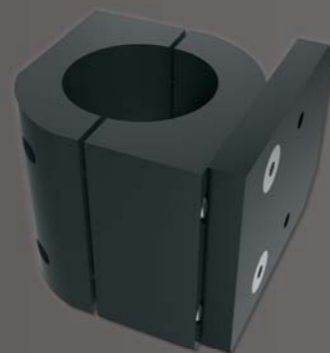
Free Standing Mount:

Will accommodate dual weapons. Can be mounted to other areas of vehicles where no suitable surface for mounting the **BLAC-RAC** is present. Can be modified to handle four weapons on a single stand.



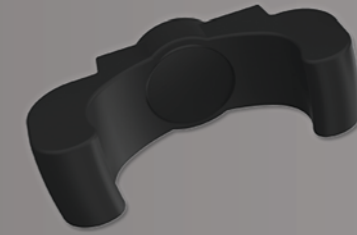
Tube/Pipe mount:

Machined from solid structural aluminum. Primarily used for overhead mounting on the roll bar above the partition/cage. Can also be used to mount the **BLAC-RAC** to any tube/pipe for watercraft, aviation structures, open frame vehicles and motors.



Conventional Stock Adapter:

The Conventional Stock Adapter is used for tactical weapons that are not equipped with pistol grips. A standard stock of an 870 would be an example. The adapter, which is easy to install and field replaceable will adapt the **BLAC-RAC** to accommodate these type weapons. **BLAC-RAC** can factory install this assembly prior to shipment.



BLAC-RAC ALTA™ Trigger Guard:

Specifically designed for use with the **BLAC-RAC** Tactical Weapons System. Constructed of superior 6000 series structural aluminum and milled from a solid piece. The finish is hard anodized and features a shape for use with gloves in cold and inclement weather conditions. The contour design allows for ease of use. The guard is a non drop-down, non-folding, semi-permanent type.



Dust Cover / Splash Guard:

Made from a Hypalon/neoprene Polyester fabric that is completely water and dust proof. Protects your weapon and the **BLAC-RAC** from moisture, dust and debris while on mission. The Cover is easy to remove and utilizes a wide Velcro strap keeping the cover in place.



Armory Mounts:

The **BLAC-RAC** being a module and flexible system, is ideal for weapon storage. Whether mounted to interior wall structures or SWAT/ESU panel vans. It provides the weapons that may be required in any response situation.

